

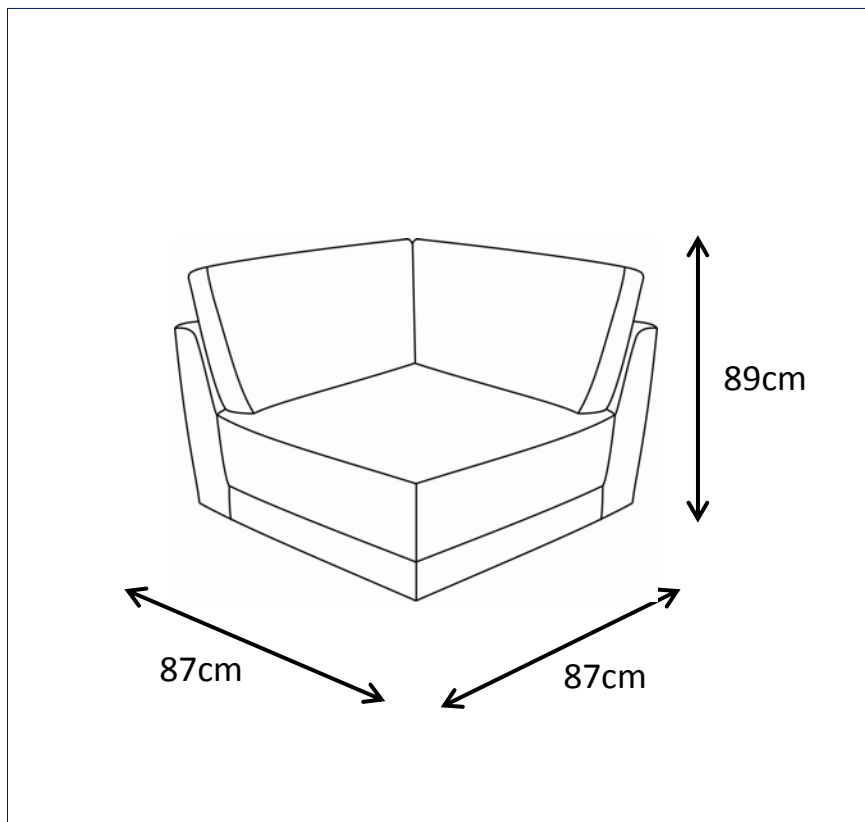


ASSEMBLY INSTRUCTION

ELEANOR

ITEM CODE 58900

Imported by Amart Furniture Pty Ltd, Qld, Brisbane Australia.
For any assistance with assembly or for missing parts please phone
Amart Furniture Ewing Road, Customer Service Free call 1800 351 084





Imported by Amart Furniture Pty Ltd, Qld, Brisbane Australia.

For any assistance with assembly or for missing parts please phone
Amart Furniture Ewing Road, Customer Service Free call 1800 351 084

PRE-ASSEMBLY PREPARATION

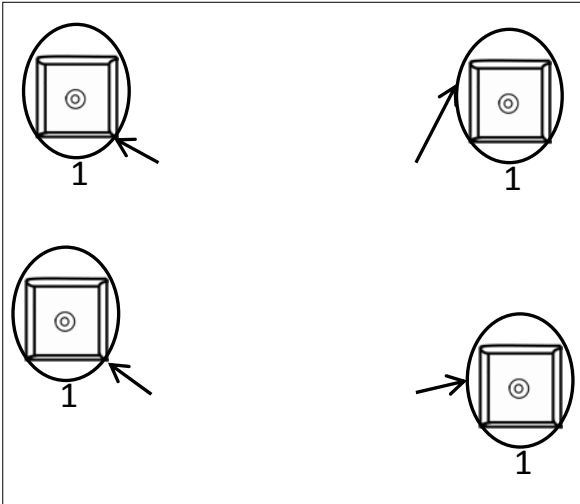
Before you start:

1. Choose a clean, level, spacious assembly area. Avoid hard surfaces that may damage the product
2. Take care when lifting. Product should be assembled as near as possible to the point of use
3. Ensure that you have all required contents for complete assembly
4. Always read the assembly instructions carefully before beginning assembly.
5. Keep all hardware parts and packaging out of reach of small children.
6. Do not over tighten the screws and bolts as this may damage the threads




	
ALLOW 15 MINUTES	PEOPLE REQUIRED
ADDITIONAL TOOLS REQUIRED	

WARNING
DO NOT STUB YOUR TOES ONCE CONNECTION
CLIP IS POKING OUT FROM BOTTOM OF THE
SOFA.

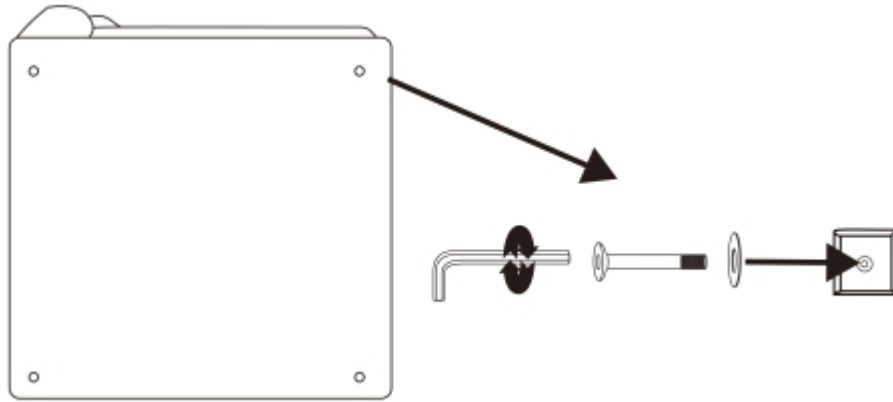
PARTS LIST



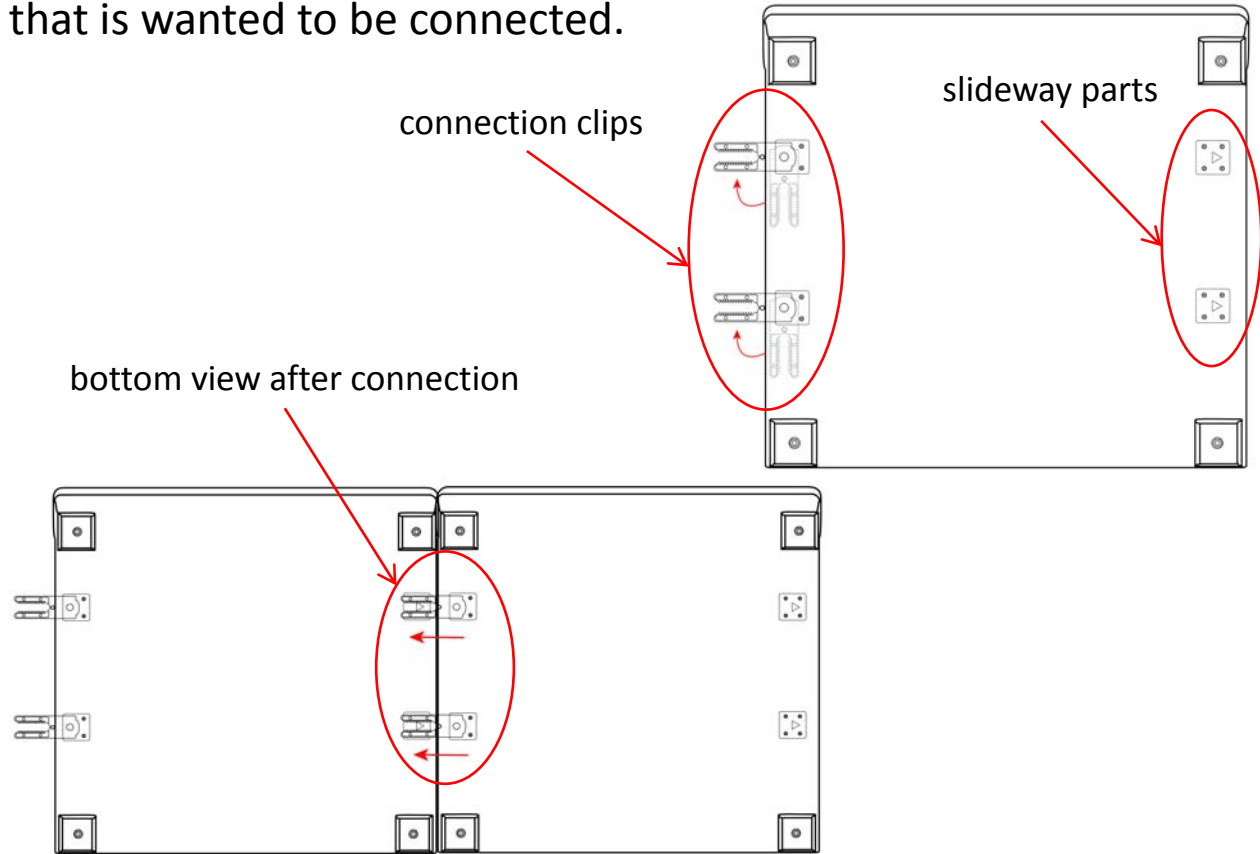
1	FEET
---	------

<p>a. Bolt M8X60</p>  <p>4pcs</p>	<p>b. Washer</p>  <p>4pcs</p>	<p>c. Allen Key</p>  <p>1pcs</p>
--	--	--

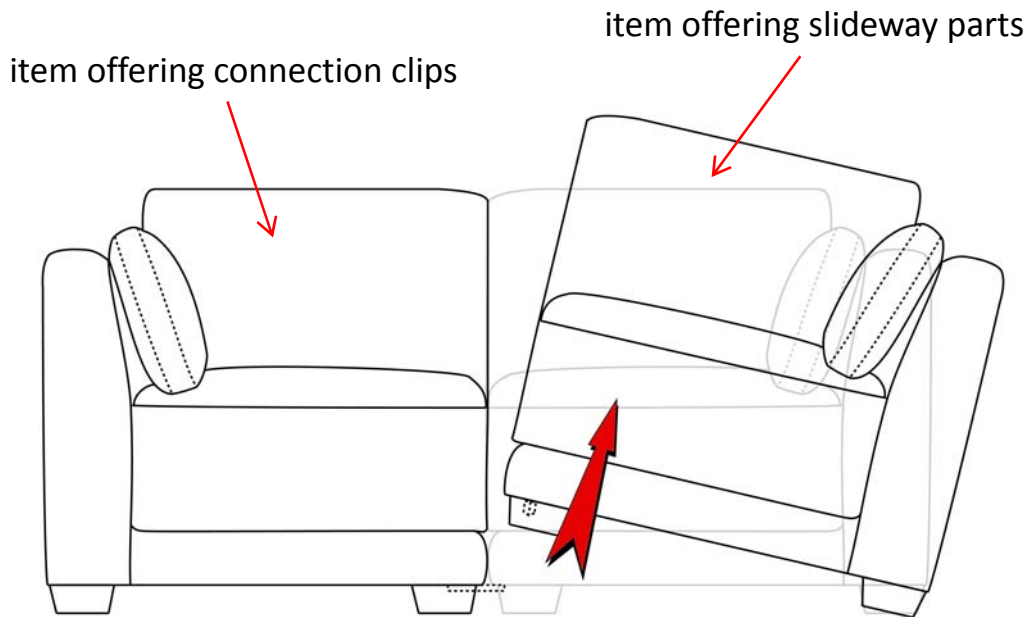
STEP 1: Tighten the feet① to the bottom of corner chair with bolts(a) and washers(b) by Allen Key(c)



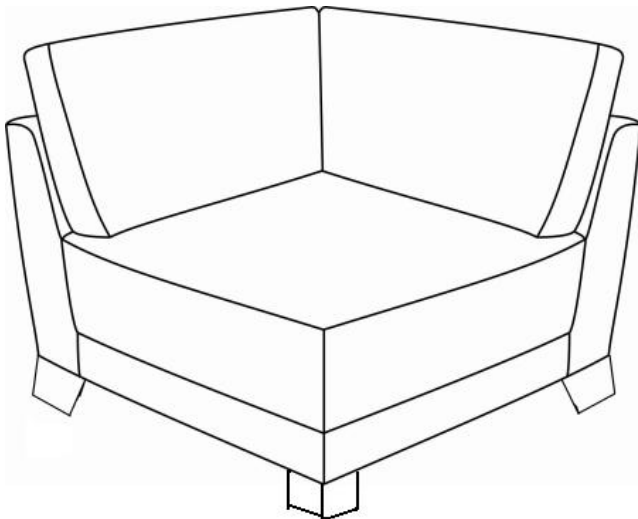
STEP 2: Unfold connection clips to poke out from bottom of the item and then place in slideway parts at bottom of another item that is wanted to be connected.



STEP 3: Lift item offering slideway parts for connection to separate items.



ASSEMBLY IS COMPLETE



CARE AND MAINTENANCE

FABRIC CARE

REGULAR CARE: PROTECT FROM DIRECT SUNLIGHT.
VACUUM REGULARLY USING LOW SUCTION.
ROTATE REVERSIBLE CUSHIONS REGULARLY.

CLEANING:

DO NOT REMOVE CUSHION COVERS FOR SEPARATE
CLEANING EVEN THOUGH THEY HAVE ZIPPERS.

DO NOT WASH

DO NOT DRY CLEAN

DO NOT SHAMPOO CLEAN

CLEAN WITH HOT-WATER EXTRACTION MACHINE.

(HOT) PROFESSIONAL CLEANING RECOMMENDED

DO NOT USE DISHWASHING OR LAUNDRY

DETERGENTS

USE ONLY UPHOLSTERY DETERGENTS

DO NOT WET FILLING

DRY IN SHADE AWAY FROM DIRECT HEAT AND

SUNLIGHT

ALLOW TO DRY THOROUGHLY BEFORE RE-USE

SPOT CLEANING:

DO NOT RUB

DO NOT SPOT CLEAN WITH ANY SOLVENT.

TREAT SPILLS AND STAINS AS SOON AS POSSIBLE.

GENTLY SCRAPE ANY SOIL OR MOP ANY LIQUID

FROM THE SURFACE OF THE FABRIC.

APPLY PROPRIETARY CLEANING AGENTS STRICTLY

ACCORDING TO INSTRUCTIONS TO REMOVE THE

RESIDUE OF THE SPILL.

DO NOT SATURATE THE FABRIC OR INTERIOR WITH

WATER OR OTHER CLEANING LIQUIDS.

WARNING: APPLY ONLY WATER-BASED SOIL RESIST

(FABRIC PROTECTION) TREATMENTS. DO NOT USE

AEROSOL PRODUCTS.